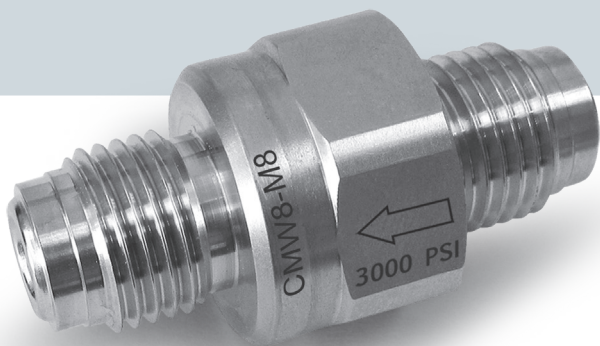


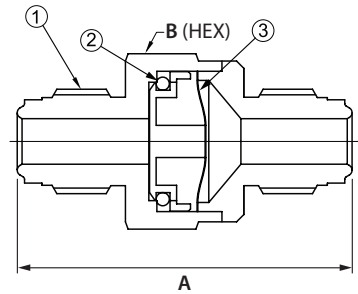
COMPACT WELDED CHECK VALVES

CMW



CMW SERIES COMPACT WELDED CHECK VALVES

- All-welded design ensures reliable system fluid containment
- Maximum allowable working pressure: 3000psi (206bar)
- Maximum allowable back pressure: 3000psi (206bar)
- Cracking pressure less than 2 psig (0.14 bar)
- Back pressure for valve resealing is less than 4 psig (0.28 bar)
- Surface finish options:
Electro polish Ra(avg.) =5 µinch or machanical finish Ra(avg.) =10 µinch



STANDARD CONFIGURATION DIMENSIONS

Part Number	End Size	End Connection	A		B	
			inch	mm	inch	mm
CMW4 - M4	1/4"	Male Face Seal	1.80	45.8	0.87	22
CMW8 - M8	1/2"	Male Face Seal	2.06	52.3	1.06	27
CMW4 - BW4	1/4"	Buttweld	1.24	31.5	0.87	22
CMW8 - BW8	1/2"	Buttweld	1.24	31.5	1.06	27
CMW4 - GF4	1/4"	Swivel Female Face Seal	2.43	61.7	0.95	24.2
CMW4 - M4GF4	1/4"	Male Face Seal to Swivel Female Face Seal	2.11	53.7	0.87	22

SPECIFICATIONS

Size	Pressure	Cv	Leak Rates
			Inboard
1/4"	20.6MPa (3000 psi)	0.55	1X10 ⁻⁹ atm•cc/sec Helium
1/2"			

O-RINGS*

O-ring Material	Temperature Rating °F (°C)
EPDM	-50 to 300 (-45 to 148)
Fluorocarbon FKM	-10 to 375 (-23 to 190)
Perfluor	-15 to 500 (-26 to 260)
Polychloroprene (CR)	-40 to 250 (-40 to 121)

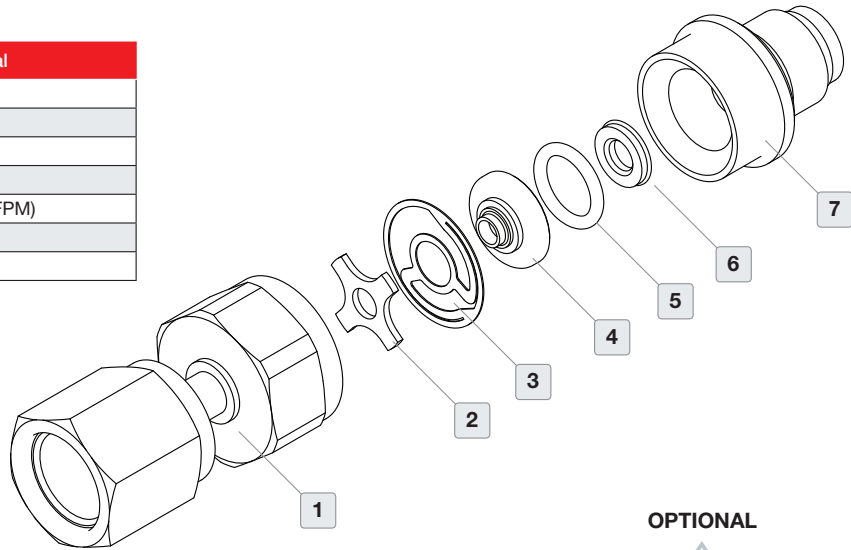
Flow Data at 20°C

Pressure Drop (bar)	Air Flow (std L/min)	
	CMW4	CMW8
0.68 (9.86 psi)	168	218
3.4 (49.30 psi)	447	580
6.8 (98.6 psi)	818	1026

*Different materials are available for special applications.

STRUCTURE

Item No.	Part No.	Material
1	Body	316L Stainless Steel
2	Washer	316L Stainless Steel
3	Spring	Alloy C-22
4	Ring Holder	316L Stainless Steel
5	O-Ring	Fluorocarbon FKM (FPM)
6	Ring Plate	316L Stainless Steel
7	End	316L Stainless Steel



ORDERING INFORMATION

Series	Body Size	End Connection	End Size	Surface Finish	O-ring Material
CMW	4 - 1/4" 8 - 1/2"	M - Male Face Seal BW - Buttweld GF - Swivel Female Face Seal	4 - 1/4" 6 - 3/8" 8 - 1/2"	BLANK - Mechanical Polish P - Electro Polish	BLANK - Fluorocarbon FKM are standard NE - Polychloroprene (CR) KZ - Perfluorelastomer EP - EPDM

CMW | 2020_Rev00